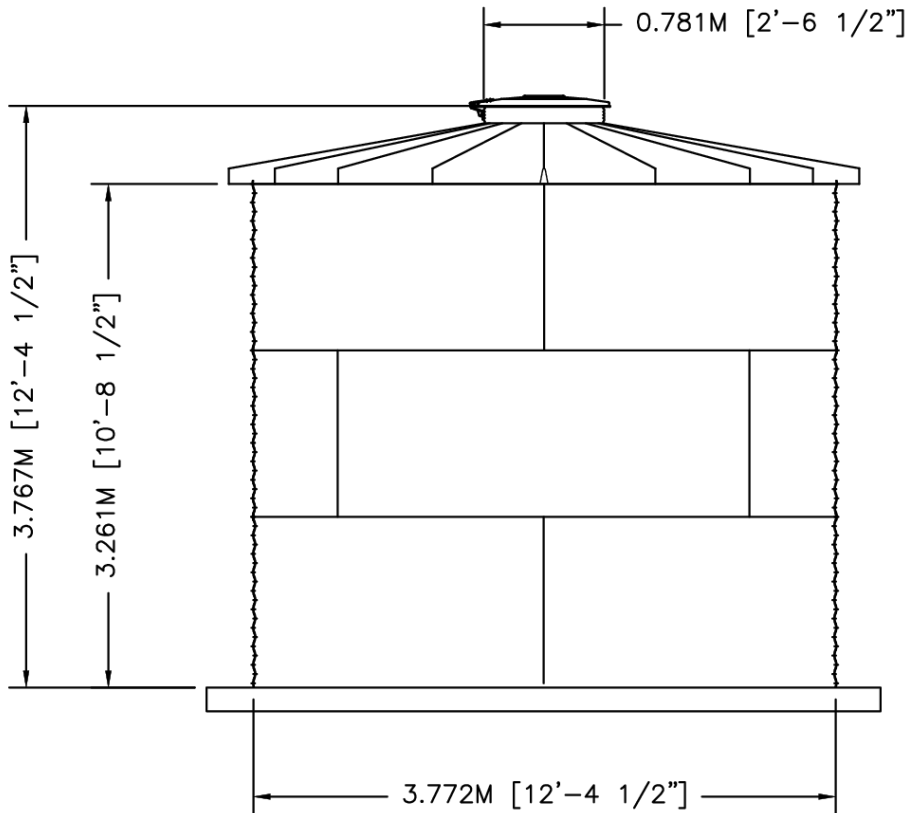



PLAN



ELEVATION

		BY	DATE	TITLE	
	DWN	XXX	XX/XX/XX	WTU04-03 30"PR 10DEG V-RIB	
	CKD			NOMINAL CAPACITY - 35.049 M3 [9,259 GAL]	
	ENG			DWG. NO. SCT1203-LVR WTU04-03	REV. NO.
	SIZE:	SCALE:		SHEET	OF
	A	1/4"=1'-0"		1	1